



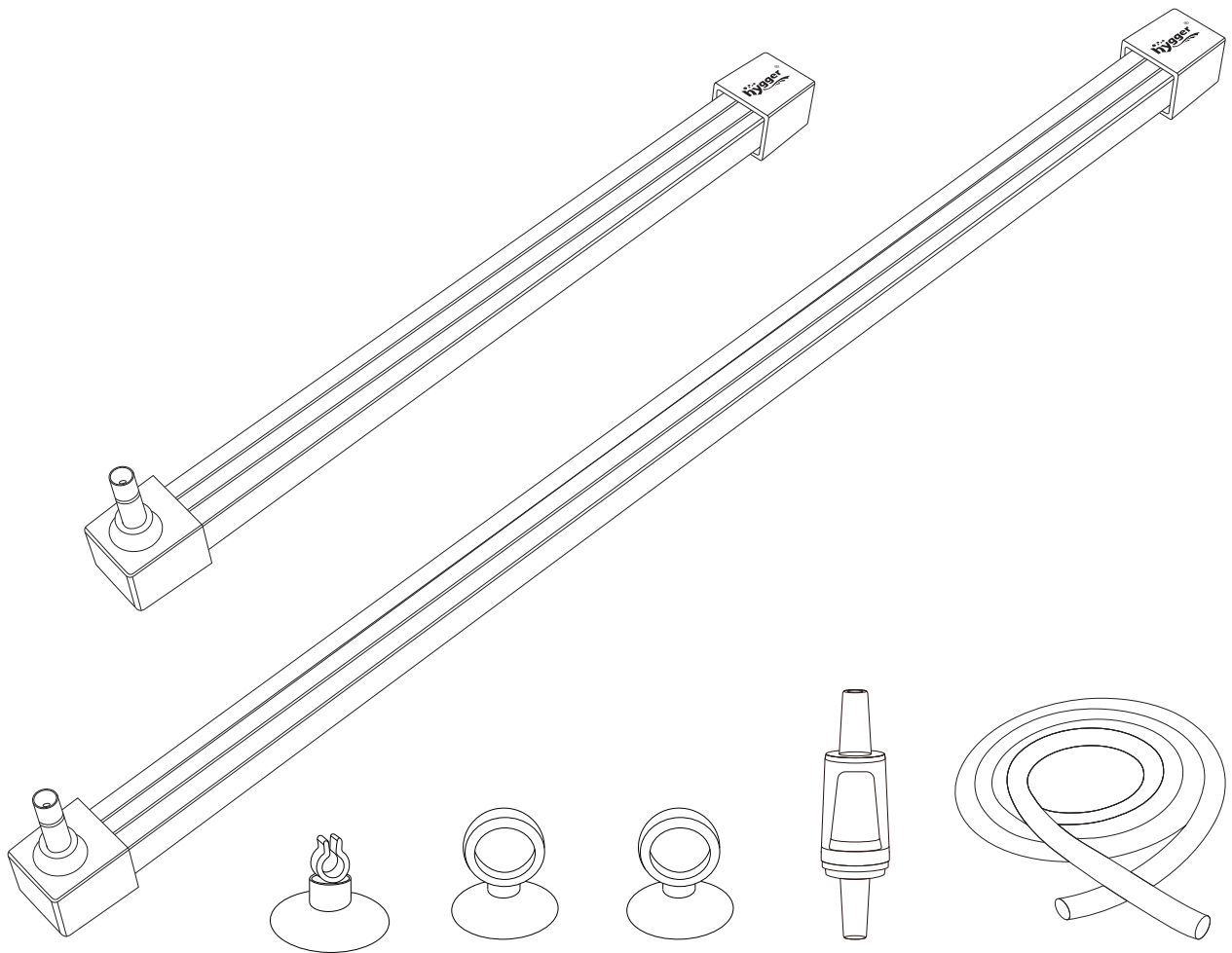
E-mail: distributor@hyggeraquarium.com

Website: www.hyggeraquarium.com



HG069 USER MANUAL

hygger aquarium aeration strip kit



Accessories included: air tube/check valve/silicone suction cup with ring/pipe clip

Air Pump is not included.

1. PRODUCT FEATURES

Ultra-High Dissolved Oxygen: Special EVA material produces more bubbles to make the tank retain abundant oxygen and more suitable for fish growth.


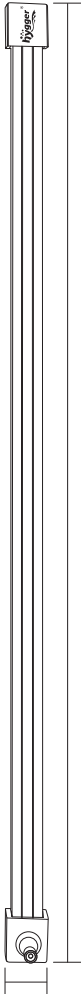
Innovative Designs Kit: Non-toxic bubble dissolve design that creates a beautiful and fantasy bubble wall, meanwhile expand the oxygen area.

Long Time Use and Easy Cleaning: Special corrosion resistant material makes longtime use and never clogs, which is different from the traditional air stone; use the cotton fabric for easy cleaning.

Two Usage Methods: immerse it at the bottom or suction it on the wall of the tank.

Suitable for freshwater ONLY. Because the base is made of aluminum alloy and saltwater cause aluminum alloy to corrode.

2. PRODUCT SPECIFICATIONS

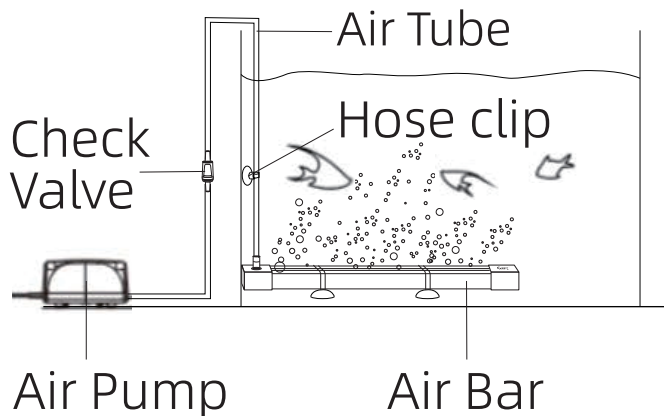
| | | |
|---------|--|---|
| Picture |  <p>8.1" (20.5cm)</p> <p>0.6" (1.5cm)</p> |  <p>15.9" (40.5cm)</p> <p>0.6" (1.5cm)</p> |
|---------|--|---|

| | | |
|-----------------------------------|-------------------------|--------------------------|
| Size | Length: 20.5cm(8.1") | Length: 40.5cm(15.9") |
| Soft tube 4x6MM | 1*2M | 1*2M |
| Silicone suction cup with ring x2 | √ | √ |
| Check valve | √ | √ |
| Hose clip | √ | √ |

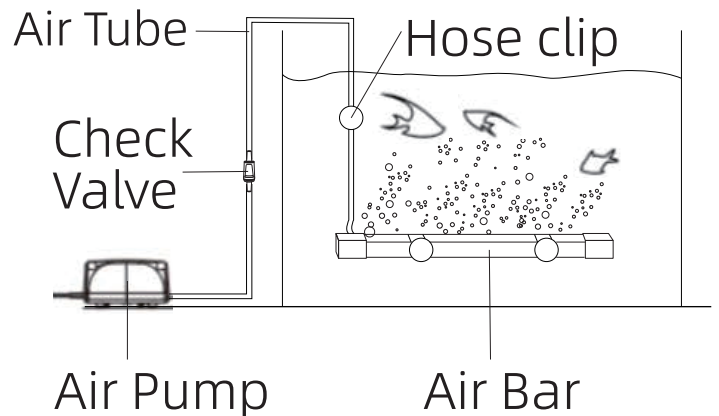
3. INSTRUCTIONS

- Before using, please fully immerse the aeration strip in the water , place it on the bottom or suction it on the wall of the tank.

Application 1:



Application 2:



- Please use an air pump with enough air volume (above 3W) to power the aeration strip.

Important Reminder: Please pay more attention if the aeration strip does not dissolve oxygen; try using a different air pump or a large volume air pump, as the air pump may not provide enough volume from different manufacturers. Also, try cleaning the surface of the aeration strip.

- Please avoid using the aeration strip in flammable, corrosive chemical gas or liquid.

4. ONE YEAR LIMITED WARRANTY

This product MUST be purchased from an authorized hygger reseller. Visit our website for a list of authorized resellers. hygger warrants this product against defects in materials and workmanship for ONE(1) YEAR from the date of the original retail purchase and is non-transferable.

Warranty on all products, including aquariums. But it is limited to the replacement of the products and does not cover fish loss, personal injury, property loss or direct, incidental or consequential damage caused by using this product.

Note: hygger One-year Limited Warranty does not cover damage caused by the followings: improper installation, saltwater corrosion, electrical surges or modifications. If you discover a defect, please contact hygger, who will, at its option, repair or replace the product at no charge, provided that you return it during the warranty period. A copy of the bill of sale is required as proof of the original purchase date in the event of the product needing repairs within the warranty period. hygger does not warrant any products that are not hygger's.

This warranty does not apply if the product has been damaged by accident, abuse, misuse or misapplication, or modified without the written permission of hygger.

4. PACKING LIST

- 1x aeration strip
- 2x Silicone suction cup with rings
- 1x Air tube(2M)
- 1x Hose clip
- 1x Check valve
- 1x User Manual

5. CONTACT INFORMATION

Company Name: Shenzhen Mago Trading Co., Ltd
Add: Bantian Group Business Central, Longgang District,
Shenzhen City, Guangdong Province, China

E-mail: distributor@hyggeraquarium.com

Website: www.hyggeraquarium.com

**If you have any problem, please provide your amazon
order id (amazon invoice) and shipping address by**

E-mail: distributor@hyggeraquarium.com



MADE IN CHINA